

GRAPHTEC

NEW

Full Color Image Scanner **36" wide**

CSX300-09

*A 36inch face-up scanner designed for ease of use
24-bit color (16.7 million colors) fine-scanning capability
±0.1% high precision, 600-dpi optical resolution, 9600-dpi interpolated resolution
Compact and lightweight design
Comes with a new Scanning Master 21+ that implements the Simple Copy output function
Conforms to the International Energy Star Program standard.*

36" wide **NEW**
Full Color Image Scanner
CSX300-09



www.graphteccorp.com

36" wide Full Color Image Scanner CSX300-09

■ A 36inch face-up scanner designed for ease of use

The document is loaded so the scanning surface face up (Face-Up system), helping prevent scanning errors when the drawing is loaded.

■ 24-bit color (16.7 million colors) fine-scanning capability

The 24-bit color (16.7 million colors) capability enables fine scanning of even aerial photographs and graphics. Monochrome, grayscale, or color scanning can be selected, a key feature for making monochrome/color copies and easier archiving.

■ ±0.1% high precision, 600-dpi optical resolution, 9600-dpi interpolated resolution

In addition to the 600-dpi optical resolution, the CSX300 lets you select from 50-dpi through 9600-dpi interpolated resolution to suit the complexity of your drawing and scanning application.

■ Comes with a new Scanning Master 21+ that implements the Simple Copy output function

The bundled, easy-to-use Scanning Master 21+ software offers a Simple Copy button to further enhance scanner usability and to provide support for work procedures.

■ Conforms to the International Energy Star Program standard (released April 1, 2007)

If unused for a fixed period of time (13 minutes or longer), the scanner automatically enters standby to reduce power consumption (to 5 W or less).

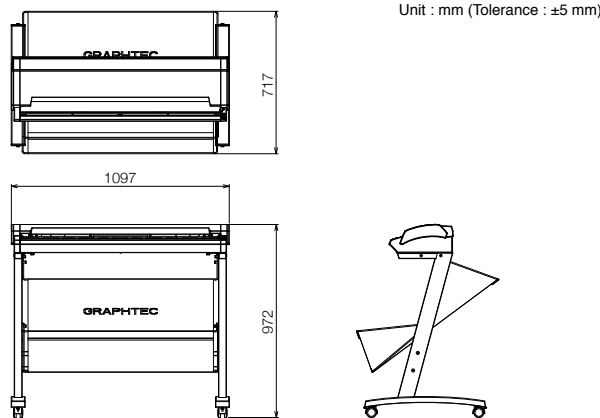
SPECIFICATIONS				
Model	CSX300-09			
Document sizes	JIS A0, A1, A2, A3, A4, DIN A0, A1, A2, A3, A4, ANSI Eng E, D, C, B, A ANSI Arch E, D, C, 30/36 inch			
Maximum scanning media widths	965 mm (38")			
Effective scan width	932.2 mm (36.7")			
Maximum scanning length	999 m (*1)			
Document thickness	1.5 mm			
Optical resolution	600 dpi			
Interpolated resolution	9600 dpi			
Main scanning system	Contact image sensor system (Five A4 sensors in a zigzag pattern)			
Sub scanning system	Sheet through system			
Scanning speed	High speed Normal High quality			
Resolution 400 dpi	Monochrome	8 sec	14 sec	18 sec
	Gray	23 sec	26 sec	33 sec
		Color	62 sec	75 sec
	Scanning precision	+/-0.1% or less, or +/-1 pixel or less whichever is greater (*2)		
Gradation	256 shades			
Threshold value	Monochrome: Bi-level, Intermediate tones (dithering, error diffusion) Grayscale: 256 shades, Color: 24-bit			
Color space	sRGB			
Light source	LED (RGB)			
Interface	USB 2.0 (High speed)			
Rated power supply	100 to 120/200 to 240 VAC +/-10 %, 50/60 Hz			
Power consumption	Max: 60 W or less, Stand-by: 30 W or less, Power save: 5W or less (*3), (*4)			
Operating environment	Temperature: 10 to 35 deg. C, Humidity: 35 to 80 % RH			
Guaranteed precision	Temperature: 18 to 28 deg. C, Humidity: 40 to 70 %			
External dimensions	1097 mm (W) x 160 mm (H) x 322 mm (D) (approx.)			
	43.2" (W) x 6.3" (H) x 12.7" (D)			
External dimensions when installing optional stand	1097 mm (W) x 972 mm (H) x 717 mm (D)			
	43.2" (W) x 38.3" (H) x 28.2" (D)			
Weight	Unit: 25 kg, Stand (Option): 13 kg (approx.)			
Operating systems	Windows 2000 Professional, Windows XP (Home Edition)			
	Windows XP Professional, (Professional x64 Edition is not compatible)			
Conforming standard	UL, FCC class A (USA), CE mark (EU), CCC, EK mark, Energy star program version 1.0			

- (*1) The maximum length of 999m can be set at the ScanningMaster21+. But actual scanning length varies depending on the specification of PC and the condition of scanned document.
 (*2) Scanning precision is guaranteed under following conditions
 Temperature: 18 to 28 deg. C, Humidity: 40 to 70% RH
 Scan mode: Bi-level, Scan quality: Normal, Resolution: 600 dpi
 Document: Graphtec specified standard media : Mylar #300, 841mm (W) x 1189mm (L)
 (*3) Power save mode is set when the document is not loaded and not operated more than 13minutes
 (*4) Power save mode is canceled when document is loaded

STANDARD ACCESSORIES		
Item	Qty	Remark
Power cable	1	
Calibration sheet (Black & White calibration)	1 set	with carton box
USB interface cable (Length: 2.9 m)	1	
Cleaning paper	1 set	
Quick Start Guide	1	
CD-ROM	1	Manual, ScanningMaster 21+, TWAIN driver

OPTIONS	
Item	Model
Carrier sheet A0	IS0922
Carrier sheet A1	IS0908
Calibration sheet	IS0925
Scanning Master Pro Color	OP5115-STD
A0 stand with basket	ST0074
Cleaning paper	EM-CP

EXTERNAL DIMENSIONS



Brand names and product names listed in this brochure are the trademarks or registered trademarks of their respective owners. Specifications are subject to change without notice.

GRAPHTEC

Graphtec Corporation

503-10 Shinano-cho, Totsuka-ku, Yokohama 244-8503, Japan

Tel : +81-45-825-6250 Fax : +81-45-825-6396

Email : webinfo@graphtec.co.jp

Website <http://www.graphteccorp.com>

